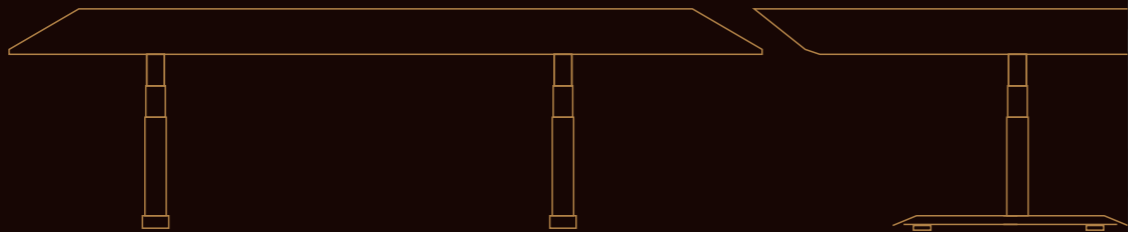


**AENZK**<sup>®</sup>

**HEIGHT  
ADJUSTABLE TABLE**



**NINGBO XINDONGQI INDUSTRIAL TECHNOLOGY CO.,LTD.**

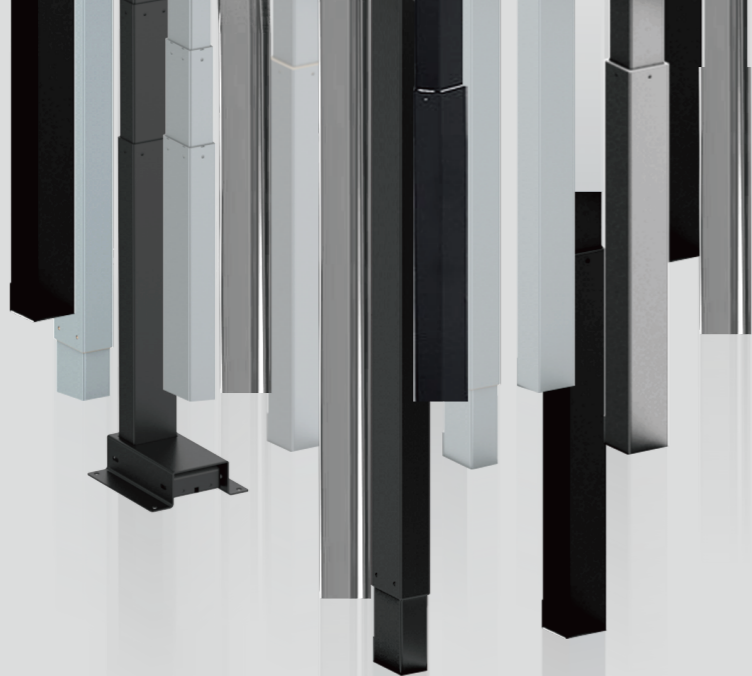
Postal Code: 315806    Tele: 0086-574-86106868    Website: [www.xdq-aezk.com](http://www.xdq-aezk.com)

Add: No.2 Longtanshan Road Beilun District Ningbo China

**ERGONOMIC SOLUTIONS**

**NINGBO XINDONGQI INDUSTRIAL TECHNOLOGY CO., LTD.**





**AEVK**<sup>®</sup>

**HEIGHT  
ADJUSTABLE TABLE**

GET TWICE THE RESULT WITH HALF THE EFFORT  
SELECT AEZK LIFT TABLE



# CONTENTS

1	COMPANY INTRODUCTION	35	RXL1-3
3	PRODUCTION CONTROL RESEARCH AND DEVELOPMENT	37	RXT1-1
		39	RXT1-2
5	APPLICATION SCENARIO	41	RXTV-1
9	RXD2-3-3RN	43	RXTV-2
11	RXD2-S-3RN	45	CONTROLLER
13	RXD2-1-2RN	47	DESKTOP/TABLE FOOT OPTION
15	RXD2-1-2SN	48	SURROUNDING PRODUCTS
17	RXD2-4-2RN		
19	RXD1-1-2RR		
21	RXD1-2-2RR		
23	RXD1-3-2RR		
25	RXD1-1-2SN		
27	RXD1-4-2RR		
29	RXD3-1-3RN		
31	RXD4-1-3RN		
33	RXL1-1、RXL1-2		

# COMPANY

## PROFILE

WHO statistics found that about 2,000,000 deaths every year associated with sedentary life-style. Sedentary life-style is becoming a global problem of health hazard.

However, the height adjustable table of AEZK is speeding up a solution to this problem.

Xindongqi (AEZK) advocates a healthy new way of alternating between standing and sitting to remit and improve fatigue in busy times. Our product design team includes 20 people, and the evolution of products is going very well. We only want to do one thing excellent, to help people who strive in the now to release bodies and minds. Rigorous experiments and tests starting with research and development, our solution can be optimized continuously.

Our stable supply chain and mature manufacturing level can ensure quality and delivery time.

We have passed industry system certifications and our products have obtained CE, RoHS, SAA, PSE, FCC and UL certificates.

Xindongqi masters a complete production and processing chain, every process is finished in our factories. We will fulfill advanced craft and management ways in each step of the process and are committed to making lower costs, faster delivery and newer products with feasible methods to win the market first chance for our clients. We have complete quality control methods including parts supply side, production process and shipment inspection.

Meeting the needs of clients and solving problems for them is the starting point of all the work of Xindongqi.

Xindongqi Industrial Technology, a reliable intelligent office furniture supplier.



# Production Control

"Quality, efficiency, excellence, and sincere service are the first steps to achieve efficient operation of the production process through effective planning to ensure production efficiency and stability of the production line, and effective formulation of 1+2+3 planning, control, and supervision processes.". So as to enhance the competitiveness and profitability of the enterprise and meet the needs and requirements of customers.



The company has long been committed to the research and development and manufacturing of lifting tables. Several independently developed new products have obtained national invention patents. Continuously innovate in development, such as height adjustment range, speed, stability, safety, storage space, etc., develop corresponding hardware circuits and software programs, and conduct strict quality testing on the lifting table, including service life, load-bearing capacity, mute effect, intelligent control system, etc., to ensure product quality.



- dual motors to insure smooth height adjustment and bigger loading capacity
- extendable, enhanced frame
- anti-collision, child safety lock, height setting memory



**AEMK**<sup>®</sup>

## **HEIGHT ADJUSTABLE TABLE**

- dual motors to insure smooth height adjustment and bigger loading capacity
- wider height adjustment range, both for adult and kids
- extendable, Enhanced frame in width
- anti-collision, Child safety lock, Height setting memory

## HEIGHT ADJUSTABLE TABLE

- high quality carbon steel table legs
- stable design durable and not easily deformed



- economic model
- good for limited space
- anti-collision function available



AEMK®

## RXD2-3-3RN

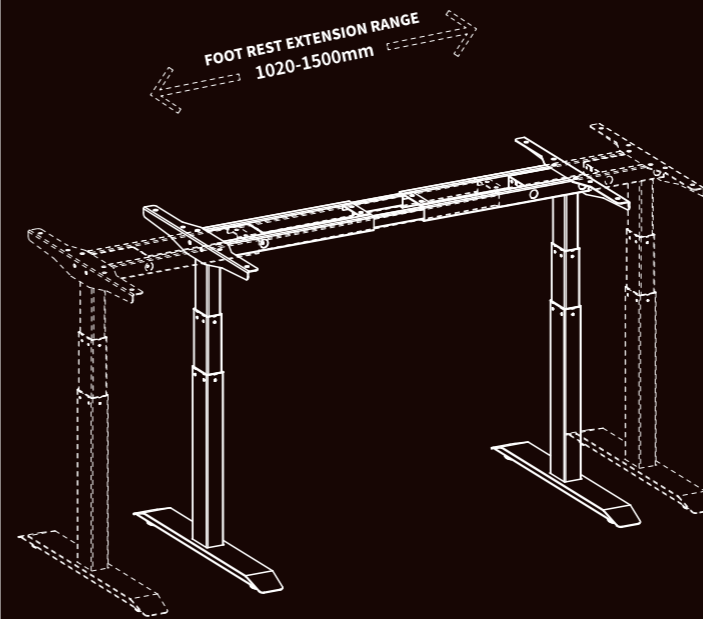


- dual motors
- wider height adjust range, for adult, kids
- anti-collision, child safety lock, height setting memory

### Colour

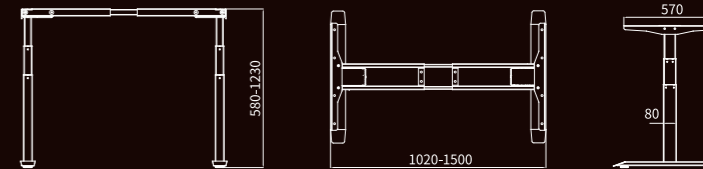


Black    White    Silver



## PARAMETER

Number Of Motorss	2
Lifting Column	3-stage column, rectangular tube
Frame Wide Range	1020 ~ 1500 mm // 40.16" ~ 59.06"
Top Size	W(1200 ~ 1800 mm) × D(600 ~ 800 mm) // W(47.24" ~ 70.87") × D(23.62" ~ 31.5")
Height Range	580 ~ 1230 mm // 22.83" ~ 48.43" ( Without desktop )
Max.Lifting Capacity	120 kg // 264.55 lb
SPEED	35 mm/s // 1.38"/s
Noise	≤48 dB
Colour	Black / Silvery / White / ( Customizable )
Carton Size	1055 × 295 × 235 mm // 41.54" × 11.61" × 9.25"



## RXD2-S-3RN

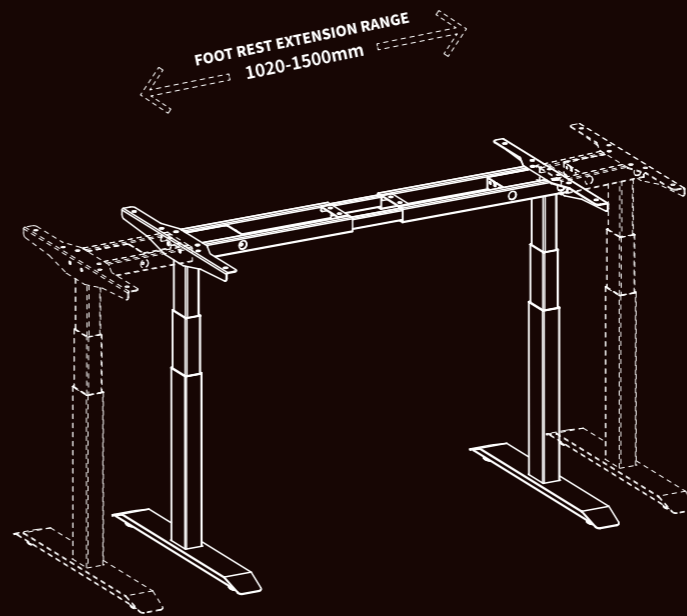


- speedy model
- dual motors
- anti-collision, child safety lock, height setting memory

### Colour

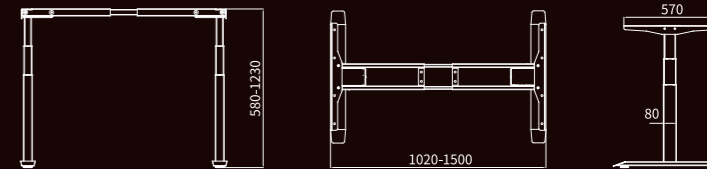


Black    White    Silver



## PARAMETER

Number Of Motorss	2
Lifting Column	3-stage column, rectangular tube
Frame Wide Range	1020 ~ 1500 mm // 40.16" ~ 59.06"
Top Size	W(1200 ~ 1800 mm) × D(600 ~ 800 mm) // W(47.24" ~ 70.87") × D(23.62" ~ 31.5")
Height Range	580 ~ 1230 mm // 22.83" ~ 48.43" ( Without desktop )
Max.Lifting Capacity	100 kg // 220.46 lb
SPEED	80 mm/s // 3.15"/s
Noise	≤48 dB
Colour	Black / Silvery / White / ( Customizable )
Carton Size	1055 × 295 × 235 mm // 41.54" × 11.61" × 9.25"





## RXD2-1-2RN

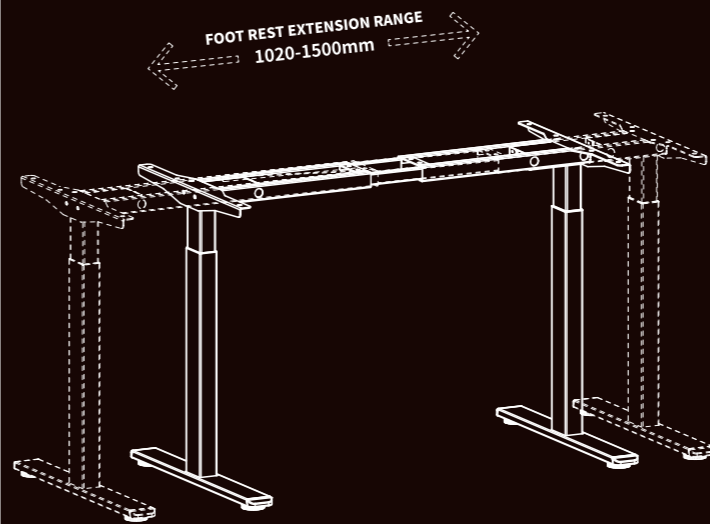


- dual motors
- anti-collision, child safety lock, height setting memory

### Colour

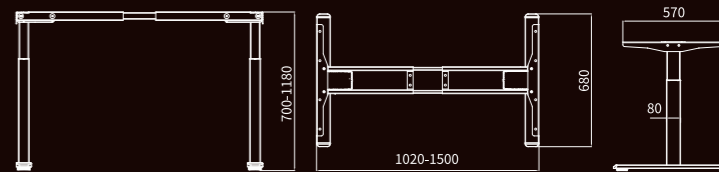


Black White Silver



## PARAMETER

Number Of Motorss	2
Lifting Column	2-stage column, rectangular tube
Frame Wide Range	1020 ~ 1500 mm // 40.16" ~ 59.06"
Top Size	W(1200 ~ 1800 mm) × D(600 ~ 800 mm) // W(47.24" ~ 70.87") × D(23.62" ~ 31.5")
Height Range	700 ~ 1180 mm // 27.56" ~ 46.46" ( Without desktop )
Max.Lifting Capacity	100 kg // 220.46 lb
SPEED	30 mm/s // 1.18"/s
Noise	≤48 dB
Colour	Black / Silvery / White / ( Customizable )
Carton Size	1055 × 295 × 235 mm // 41.54" × 11.61" × 9.25"



# RXD2-1-2SN



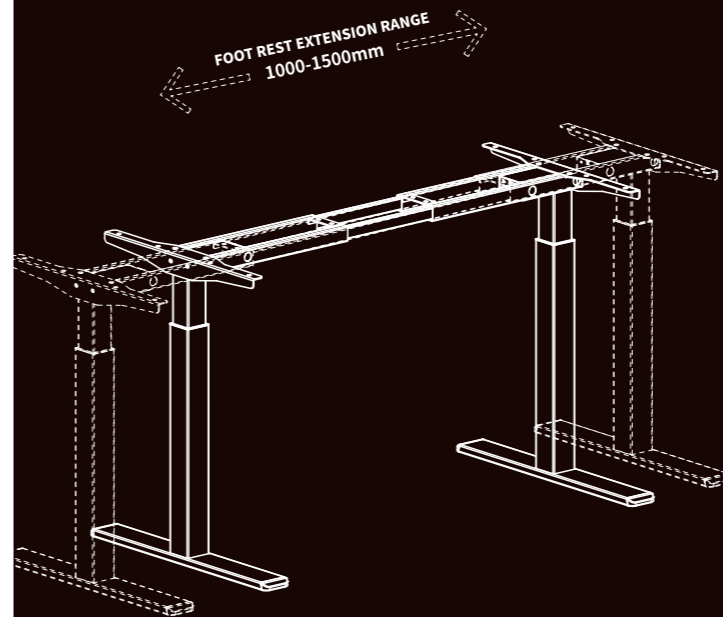
- square-shaped leg
- dual motors
- anti-collision, child safety lock, height setting memory



### Colour

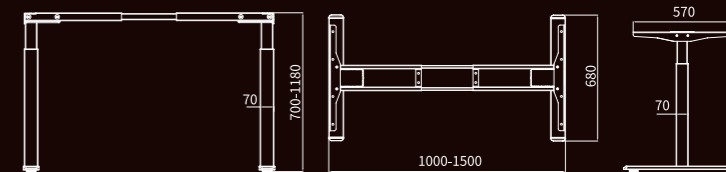


Black White Silver



## PARAMETER

Number Of Motorss	2
Lifting Column	2-stage column, square tube
Frame Wide Range	1020 ~ 1500 mm // 40.16" ~ 59.06"
Top Size	W(1200 ~ 1800 mm) × D(600 ~ 800 mm) // W(47.24" ~ 70.87") × D(23.62" ~ 31.5")
Height Range	700 ~ 1180 mm // 27.56" ~ 46.46" ( Without desktop )
Max.Lifting Capacity	100 kg // 220.46 lb
SPEED	30 mm/s // 1.18"/s
Noise	≤48 dB
Colour	Black / Silvery / White / ( Customizable )
Carton Size	1055 × 295 × 235 mm // 41.54" × 11.61" × 9.25"



## RXD2-4-2RN



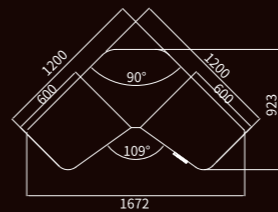
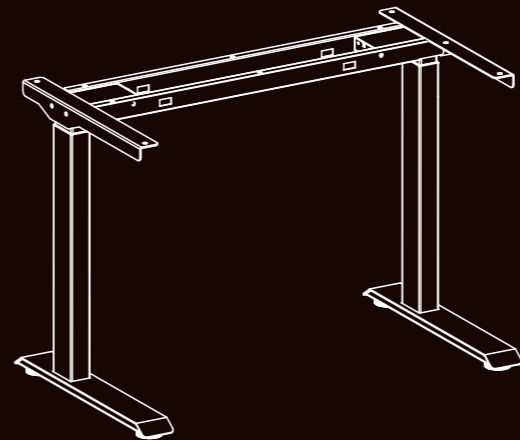
- dual motors
- good for 90° corner space
- C-leg to release more space for accessories
- anti-collision, child safety lock, height setting memory



### Colour

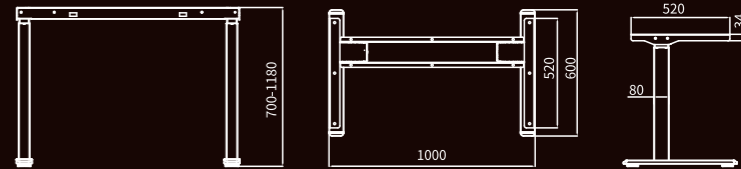


Black White Silver



## PARAMETER

Number Of Motorss	2
Lifting Column	2-stage column, rectangular tube
Frame Wide Range	1000 mm // 39.37"
Top Size	V-type 1200 mm × 1200 mm // 47.24" × 47.24"
Height Range	720 ~ 1200 mm // 28.35" ~ 47.24" ( Include desktop )
Max.Lifting Capacity	100 kg // 220.46 lb
SPEED	30 mm/s // 1.18"/s
Noise	≤48 dB
Colour	Black / Silvery / White / ( Customizable )
Carton Size	1040 × 790 × 180 mm // 40.94" × 31.1" × 7.09"



## RXD1-1-2RR

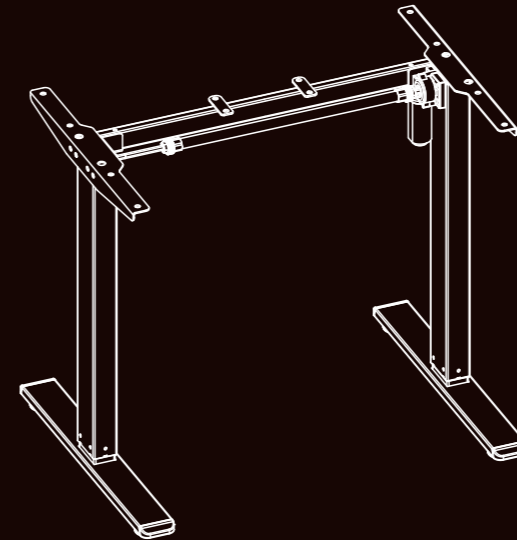


- economical model
- good for limited space
- anti-collision function available

### Colour

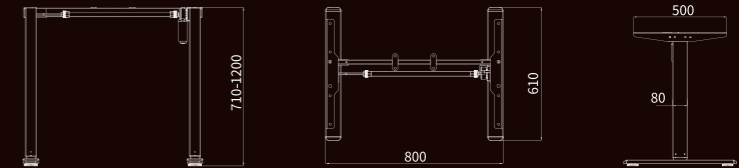


Black White Silver



## PARAMETER

Number Of Motorss	1
Lifting Column	Reversed 2-stage column, rectangular tube
Frame Wide Range	800 mm // 31.5"
Top Size	W1000 mm × D600 mm // W39.37" × D23.62"
Height Range	710 ~ 1200 mm // 27.95" ~ 47.24" ( Without desktop )
Max.Lifting Capacity	70 kg // 154.32lb
SPEED	28 mm/s // 1.1"/s
Noise	≤48 dB
Colour	Black / Silvery / White / ( Customizable )
Carton Size	1040 × 350 × 140 mm // 40.94" × 13.78" × 5.51"



## RXD1-2-2RR

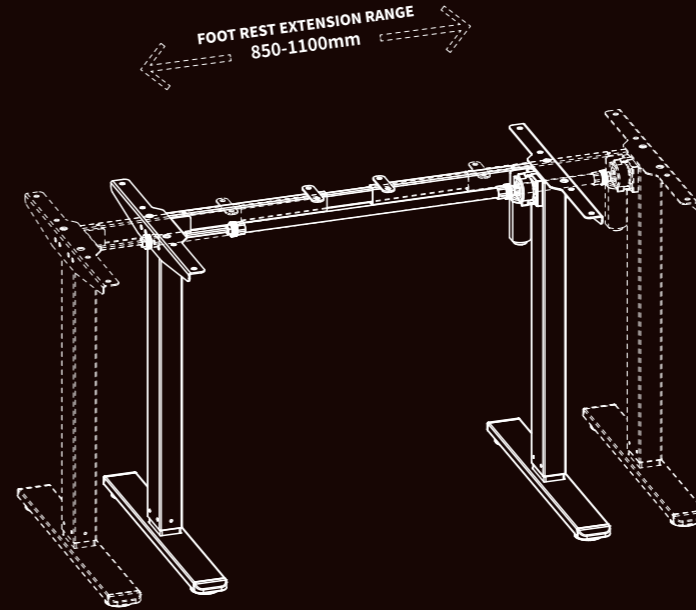


- high performance with competitive cost
- anti-collision, child safety lock, height setting memory

### Colour

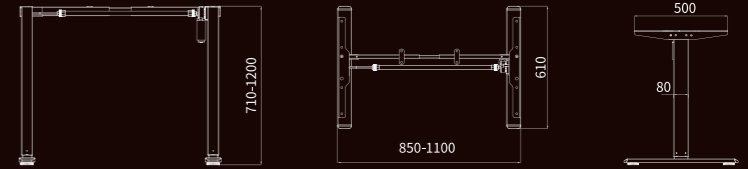


Black White Silver



## PARAMETER

Number Of Motorss	1
Lifting Column	Reversed 2-stage column, rectangular tube
Frame Wide Range	850 ~ 1100 mm // 33.46" ~ 43.31"
Top Size	W(1000 ~ 1400 mm) × D(600 ~ 700 mm) // W(39.37" ~ 55.12") × D(23.62" ~ 27.56")
Height Range	710 ~ 1200 mm // 27.95" ~ 47.24" ( Without desktop )
Max.Lifting Capacity	70 kg // 154.32 lb
SPEED	28 mm/s // 1.1"/s
Noise	≤48 dB
Colour	Black / Silvery / White / ( Customizable )
Carton Size	1040 × 350 × 140 mm // 40.94" × 13.78" × 5.51"



# RXD1-3-2RR



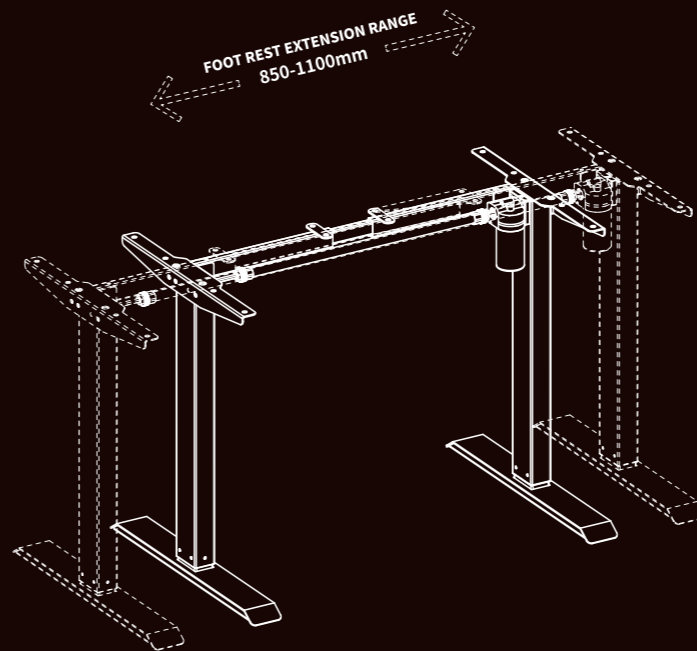
- anti-collision, child safety lock,  
height setting memory



Colour

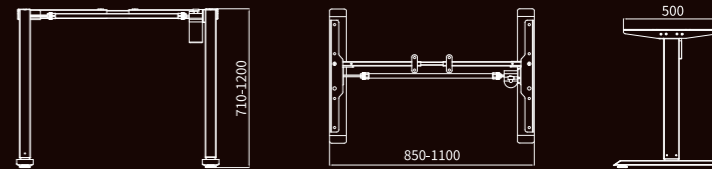


Black White Silver



## PARAMETER

Number Of Motorss	1
Lifting Column	Reversed 2-stage column, rectangular tube
Frame Wide Range	850 ~ 1100 mm // 33.46" ~ 43.31"
Top Size	W(1000 ~ 1400 mm) × D(600 ~ 700 mm) // W(39.37" ~ 55.12") × D(23.62" ~ 27.56")
Height Range	710 ~ 1200 mm // 27.95" ~ 47.24" ( Without desktop )
Max.Lifting Capacity	70 kg // 154.32 lb
SPEED	28 mm/s // 1.1"/s
Noise	≤48 dB
Colour	Black / Silvery / White / ( Customizable )
Carton Size	1040 × 350 × 140 mm // 40.94" × 13.78" × 5.51"



## RXD1-1-2SN



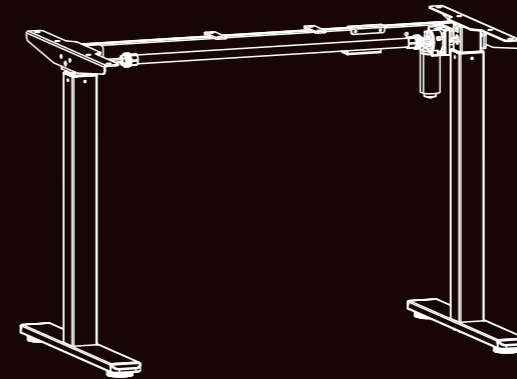
- anti-collision, child safety lock,  
height setting memory



Colour

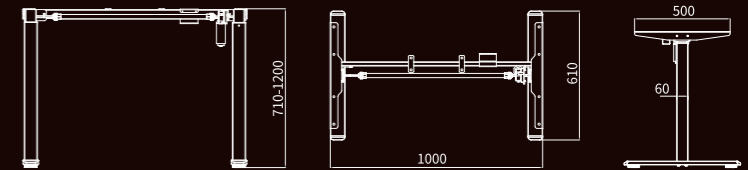


Black White Silver



## PARAMETER

Number Of Motorss	1
Lifting Column	2-stage column, square tube
Frame Wide Range	1000 mm // 39.37"
Top Size	W1200 mm × D600 mm // W47.24" × D23.62"
Height Range	710 ~ 1200 mm // 27.95" ~ 47.24" ( Without desktop )
Max.Lifting Capacity	70 kg // 154.32 lb
SPEED	28 mm/s // 1.1"/s
Noise	≤48 dB
Colour	Black / Silvery / White / ( Customizable )
Carton Size	1040 × 350 × 140 mm // 40.94" × 13.78" × 5.51"



# RXD1-4-2RR



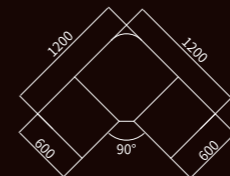
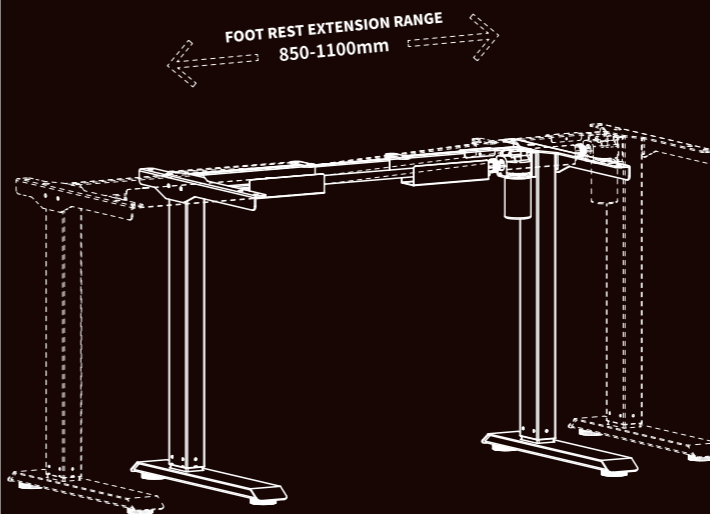
- good for 90° corner space
- C-leg to release more space for accessories
- anti-collision, child safety lock, height setting memory



### Colour

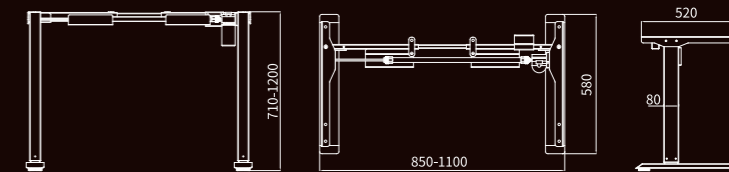


Black White Silver



## PARAMETER

Number Of Motorss	1
Lifting Column	Reversed 2-stage column, rectangular tube
Frame Wide Range	850 ~ 1100 mm // 33.46" ~ 43.31"
Top Size	V-type 1200 mm × 1200 mm // 47.24" × 47.24"
Height Range	730 ~ 1220 mm // 28.74" ~ 48.03" ( Include desktop)
Max.Lifting Capacity	70 kg // 154.32 lb
SPEED	28 mm/s // 1.1"/s
Noise	≤48 dB
Colour	Black / Silvery / White / ( Customizable)
Carton Size	1040 × 790 × 180 mm // 40.94" × 31.1" × 7.09"





## RXD3-1-3RN

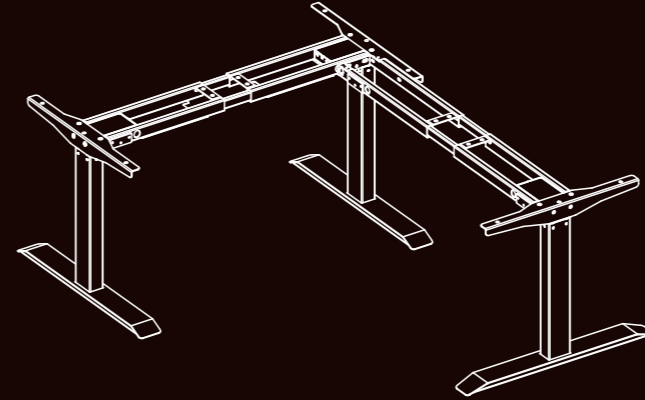


- triple motors
- L-shaped design for executive level
- sedentary reminder for good health
- anti-collision, child safety lock, height setting memory

### Colour

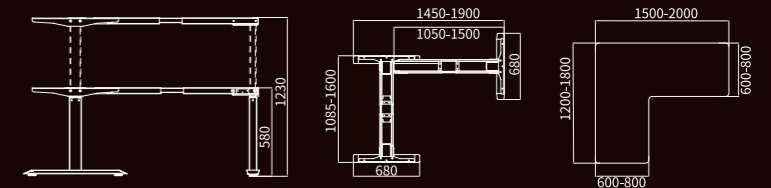


Black    White    Silver



## PARAMETER

Number Of Motorss	3
Lifting Column	3-stage column, rectangular tube
Main Frame Wide Range	1085 ~ 1600 mm // 42.72" ~ 62.99"
Auxiliary Frame Wide Range	1050 ~ 1500 mm // 41.34" ~ 59.06"
Top Size	L-type W(1500 ~ 2000mm) × D(1200 ~ 1800mm) // W(59.06" ~ 78.74") × D(47.24" ~ 70.87")
Height Range	580 ~ 1230 mm // 22.83" ~ 48.43" ( Without desktop )
Max.Lifting Capacity	150 kg // 330.69 lb
Speed	35 mm/s // 1.38"/s
Noise	≤48 dB
Colour	Black / Silvery / White / ( Customizable )
Carton Size	( 1055 × 295 × 235 mm // 41.54" × 11.61" × 9.25" ) × 2pcs



## RXD4-1-3RN

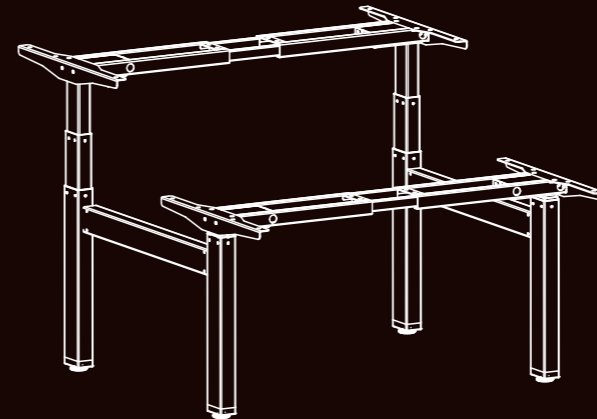


- quadruple motors
- bench style workstation
- anti-collision, child safety lock, height setting memory

### Colour

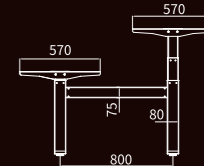
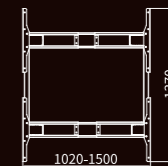
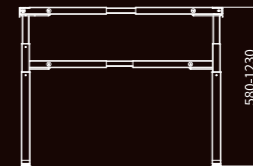


Black    White    Silver



## PARAMETER

Number Of Motorss	4
Lifting Column	3-stage column, rectangular tube
Frame Wide Range	1020 ~ 1500 mm // 40.16" ~ 59.06"
Frame length	1370 mm // 53.94"
Suggested Top Size	W(1200 ~ 1800 mm) × D(600 ~ 800 mm) // W(47.24" ~ 70.87") × D(23.62" ~ 31.5")
Height Range	580 ~ 1230 mm // 22.83" ~ 48.43" ( Without desktop )
Max.Lifting Capacity	120 kg // 264.55 lb ( Each desk )
Max.Speed	35 mm/s // 1.38"/s
Sound Level	≤48 dB
Frame Colo	Black / Silvery / White / ( Customizable )
Carton Size	( Customizable )



## RXL1-1、RXL1-2



- motor type, chargeable battery(RXL1-1)

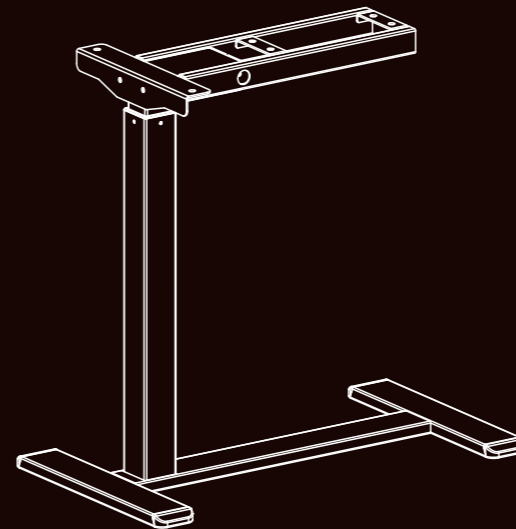


-gas-strut type(RXL1-2)

Colour

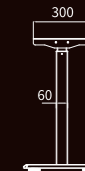
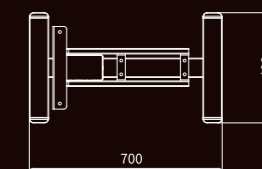
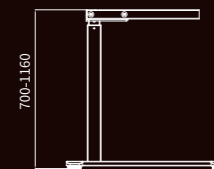


Black White Silver

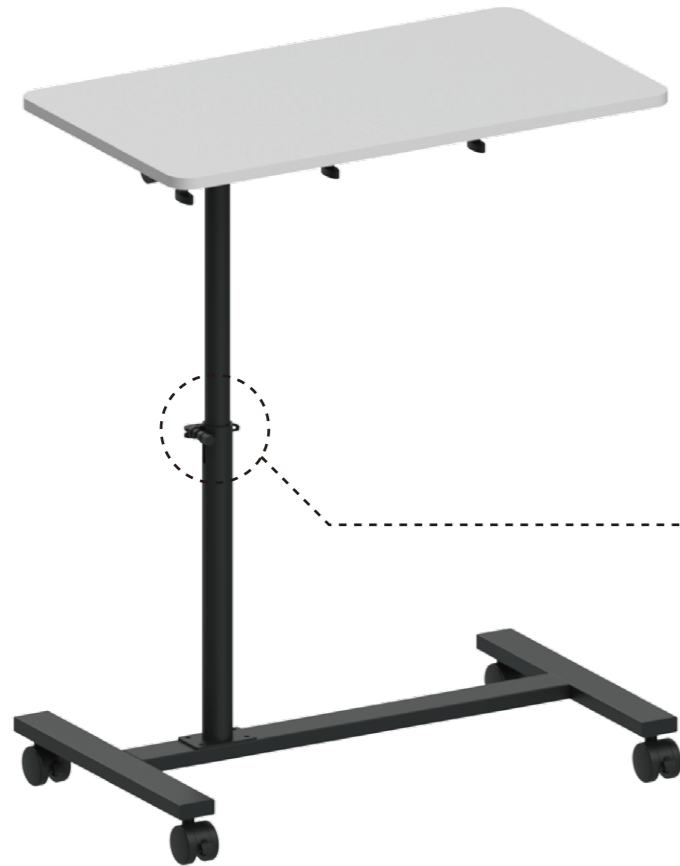


## PARAMETER

Number Of Motorss	1 ( Or select pneumatic )
Lifting Column	2-stage column, square tube
Frame Wide Range	700 mm // 27.56"
Top Size	W700 mm × D400 mm // W27.56" × 15.75"
Height Range	720 ~ 1180 mm // 28.35" ~ 46.46" ( Include desktop )
Max.Lifting Capacity	25 kg // 55.12 lb
SPEED	28 mm/s // 1.1"/s ( Only for RXL1-1)
Noise	≤48 dB ( Only for RXL1-1)
Colour	Black / Silvery / White / ( Customizable )
Carton Size	( Customizable )



## RXL1-3

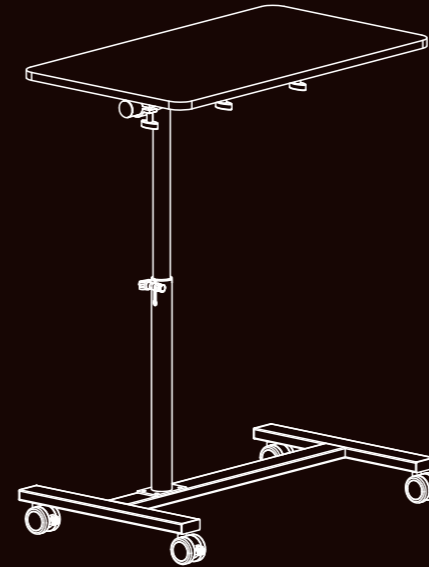


- desktop angle adjustable
- with wheels
- economical model

### Colour

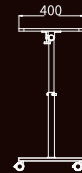
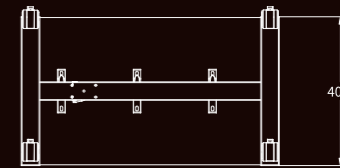
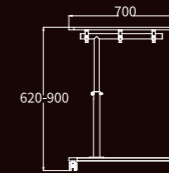


Black White Silver



## PARAMETER

Frame Wide Range	700 mm // 27.56"
Top Size	W700 mm × D400 mm // W27.56" × 15.75"
Height Range	620 ~ 900 mm // 24.41" ~ 35.43" ( Include desktop )
Max Capacity	12 kg // 26.46 lb
Frame Color	Black / Silvery / White / ( Customizable )
Carton Size	( Customizable )



## RXT1-1 DESK CONVERTER

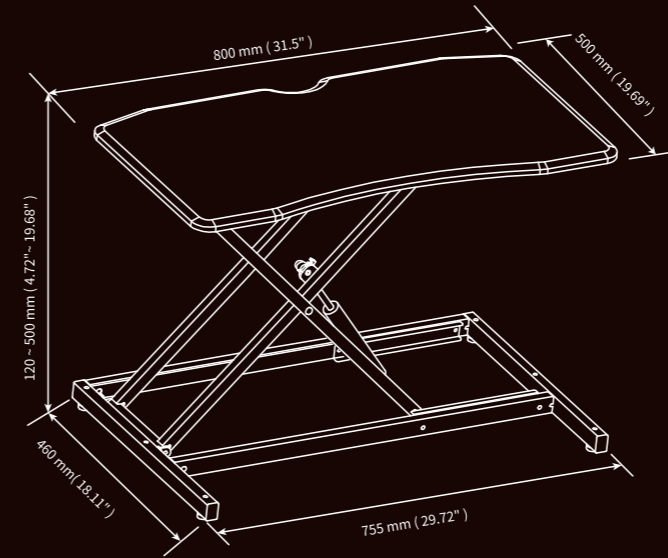


- easy squeeze lever
- desk converter
- single layer

### Colour



Black    White    Silver



## PARAMETER

Height Range	120 ~ 500 mm // 4.72" ~ 19.69"
Desktop Size	800 × 500 mm // 31.5" × 19.69"
Max.Lifting Capacity	≤ 15 kg // ≤ 33.07 lb
Color	Black / Silvery / White / ( Customizable )
Carton Size	900 × 535 × 210mm // 35.43" × 21.06" × 8.27"

## RXT1-2 DESK CONVERTER

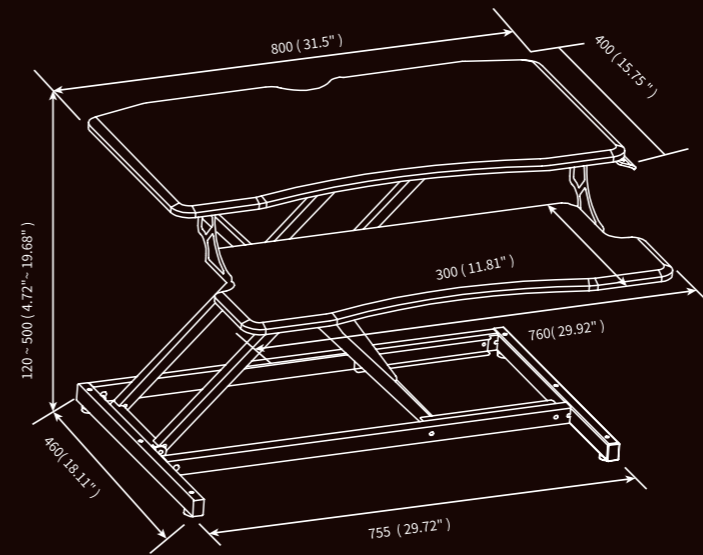


- dual layers
- easy squeeze lever

### Colour



Black    White    Silver



## PARAMETER

Height Range	120 ~ 500 mm // 4.72" ~ 19.69"
Desktop Size	800 × 400 mm // 31.5" × 15.75"
Tray Size	760 × 300 mm // 29.92" × 11.81"
Max.Lifting Capacity	≤ 15 kg // ≤ 33.07 lb
Tray Max.Lifting Capacity	≤ 2 kg // ≤ 4.41 lb
Color	Black / Silvery / White / ( Customizable )
Carton Size	900 × 535 × 210 mm // 35.43" × 21.06" × 8.27"

## RXTV-1 TV STAND

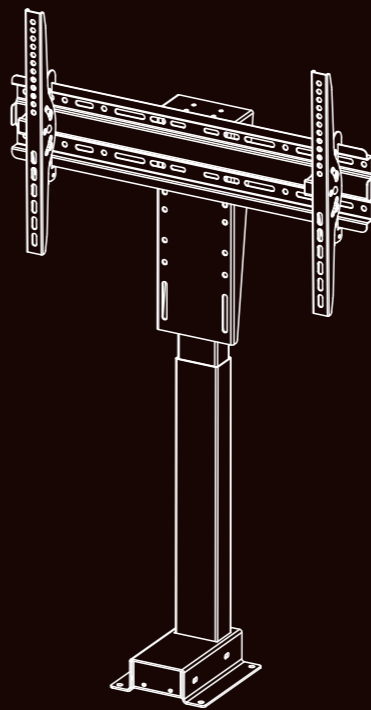


- motor driven
- floor or ceiling fixed

### Colour

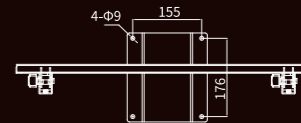
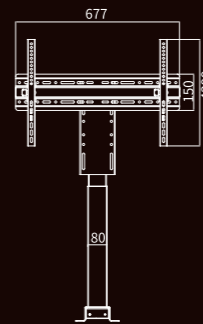


Black    White    Silver



## PARAMETER

Number Of Motorss	1
Lifting Column	3-stage columns, rectangular tube
TV Size	42 ~ 70 inches
Max.Lifting Capacity	60 kg // 132.28 lb
Max.Speed	25 mm/s // 0.98"/s
Height Range	710 ~ 1610mm // 27.95" ~ 63.39"
Frame Color	Black / Silvery / White / ( Customizable )
Carton Size	750 × 200 × 200 mm // 29.53" × 7.87" × 7.87"



## RXTV-2 TV CART

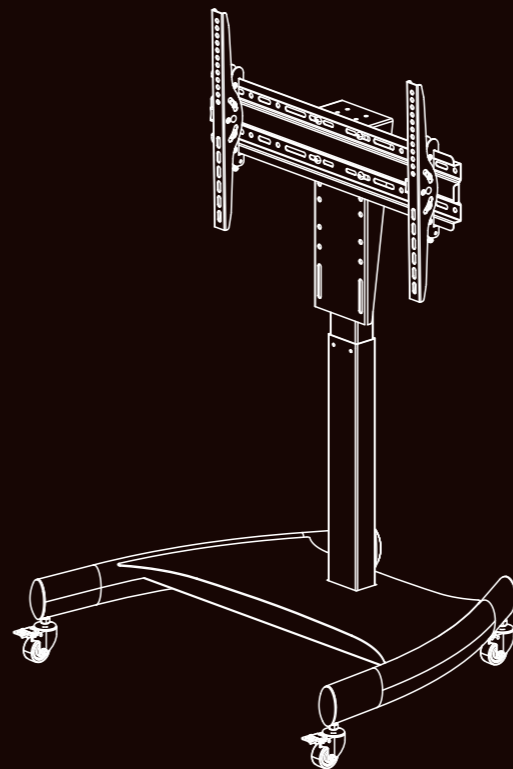


- motor driven
- good mobile

### Colour

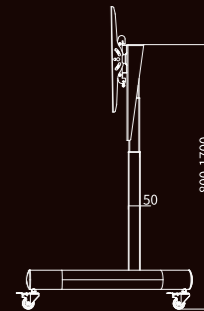
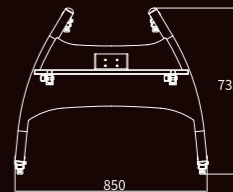
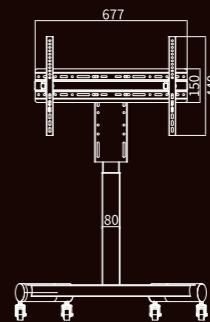


Black White Silver



## PARAMETER

Number Of Motorss	1
Lifting Column	3-stage columns, rectangular tube
TV Size	42 ~ 70 inches
Max.Lifting Capacity	60 kg // 132.28 lb
Max.Speed	25 mm/s // 0.98"/s
Height Range	800 ~ 1700 mm // 31.5" ~ 66.93"
Frame Color	Black / Silvery / White / ( Customizable )
Carton Size	900 × 750 × 220 mm // 35.43" × 29.53" × 8.66"





# Controller



**HS-01A**

- "∧" and "∨" buttons control lifting
- Anti-collision protection



**HS-03A**

- "∧" and "∨" buttons control lifting
- 3 sets of memory function
- Anti-collision protection
- Chill block
- LED display



**HS-04A**

- "∧" and "∨" buttons control lifting
- 3 sets of memory function
- Anti-collision protection
- Chill block
- LED display
- Sedentary reminder



**PHS-02A**

- "∧" and "∨" buttons control lifting
- 2 sets of memory function
- Anti-collision protection
- Chill block
- LED display



**HS-02A**

- "∧" and "∨" buttons control lifting
- 2 sets of memory function
- Anti-collision protection
- Chill block
- LED display



**HS-03B**

- "∧" and "∨" buttons control lifting
- 3 sets of memory function
- Anti-collision protection
- Chill block
- LED display
- USB 2.0 interface



**PHS-01A**

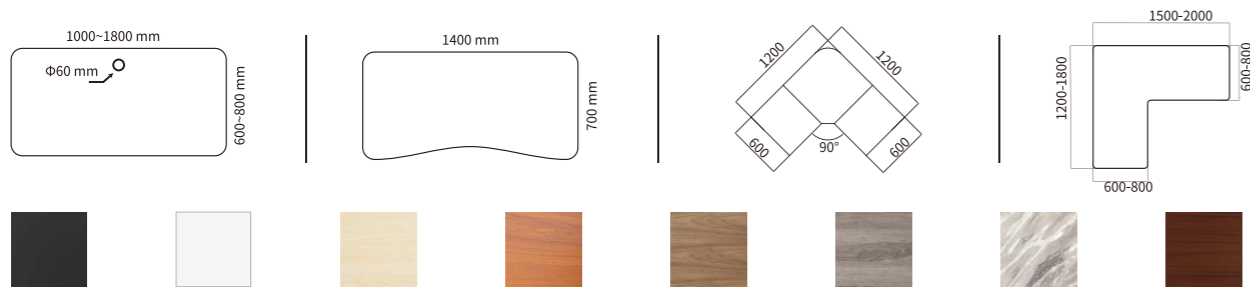
- "∧" and "∨" buttons control lifting
- Anti-collision protection



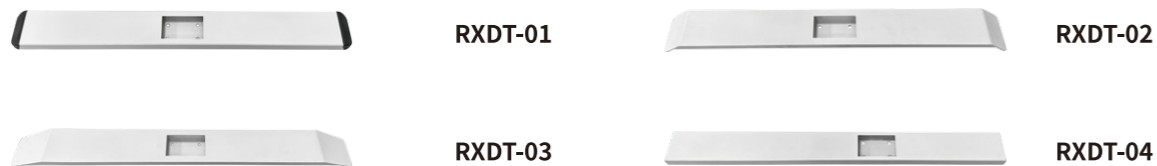
**PHS-03A**

- "∧" and "∨" buttons control lifting
- 3 sets of memory function
- Anti-collision protection
- Chill block
- LED display
- USB 2.0 interface

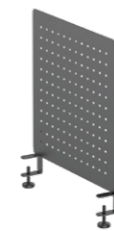
## Desktop Options



## Table Legs Optional



## Surrounding products



### Peg Board

Can be placed a variety of accessories and tools



Hangable backpack and cup



### PS-01

For single motors



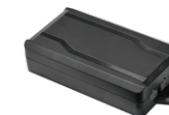
### PS-02

For dual motors



### PS-03

Connect 3 columns



### PS-04

Connect 2 columns



### PC-AUS



### PC-CN



### PC-EU



### PC-UK



### PC-USA